

WALL LAMP OUTDOOR LIGHT

TECHNICAL SHEET

KL-W168P



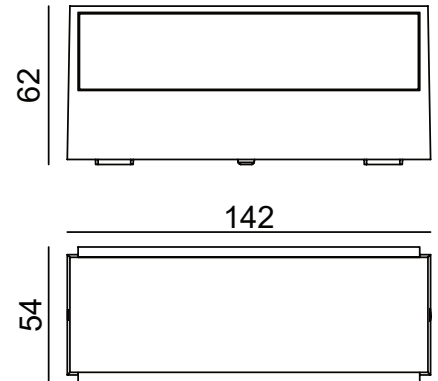
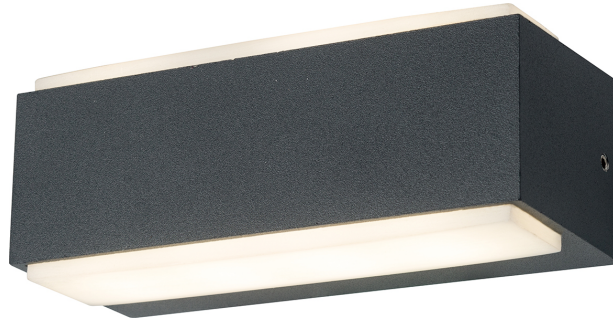
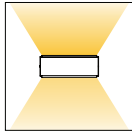
KEYLIGHT

SPAIN

PRODUCTOS DE ILUMINACION

FEATURES

- 220-240V
- CE ROHS Certified
- Aluminum die-casting body
- PC Diffuser
- 3-years warranty



SPECIFICATIONS

Product Code	KL-W168P
Power	7W
Input	220-240V
Luminous flux	360 lm
Color Temperature	2700k-6500k
Beam Angle	120°
Power factor	≥0.72
CRI	80
Finishing Colors	White/Silver Grey/Dark Grey/Black
LED Type	SMD
IP Rating	IP65 Class 1
Size	62mm*142mm*54mm
Warranty	3 years

IP65



Class I

CRI
80

K°
3000